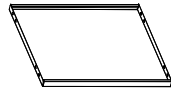
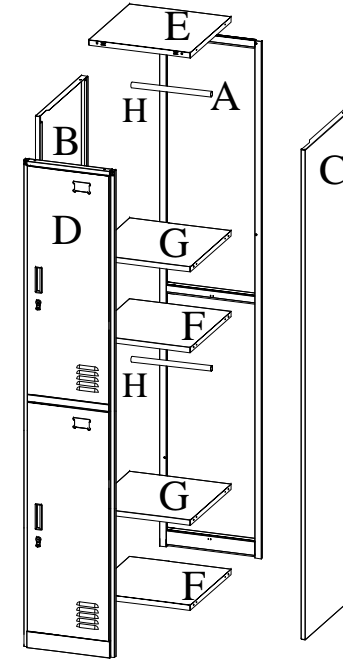


Assemble instruction

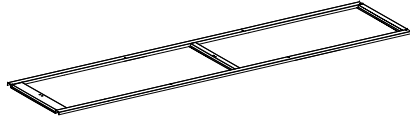
G×2



# List of carcase parts



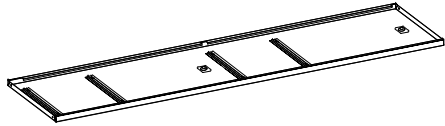
A×1



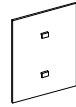
H×2



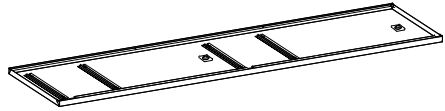
B×1



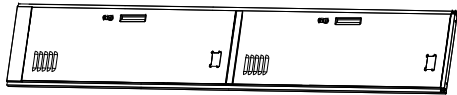
I×2



C×1



D×1



Plastic clip  
1 PCS



4 PCS

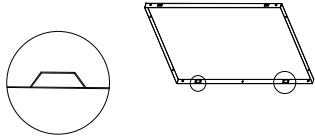


2PCS

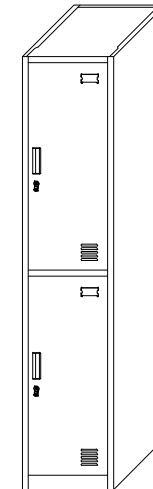


# Finish

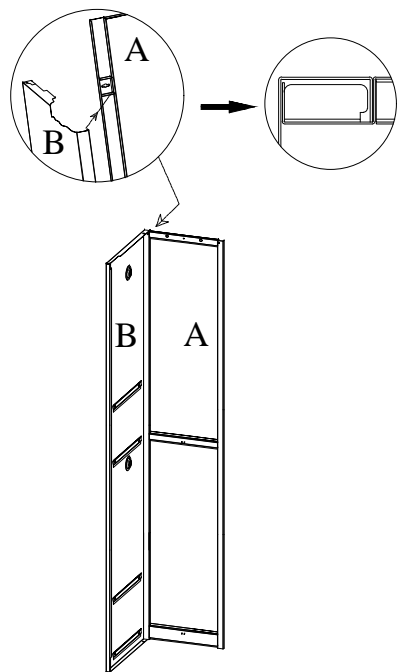
E×1



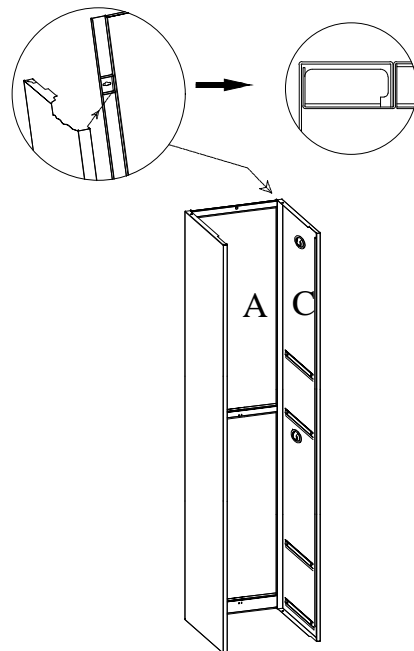
F×2



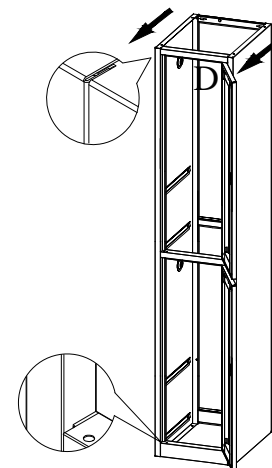
Step 1



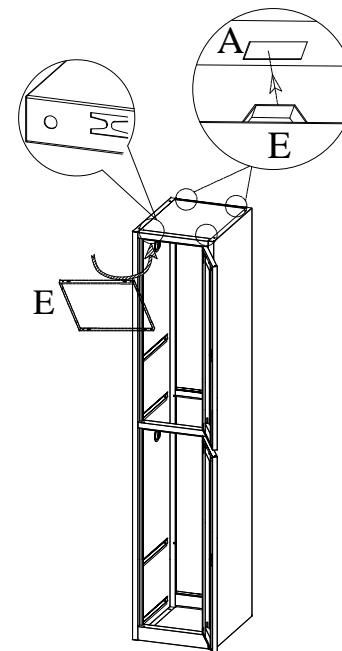
Step 2



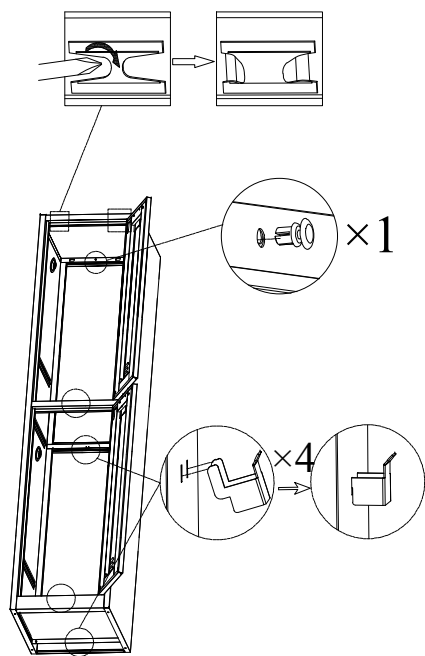
Step 3



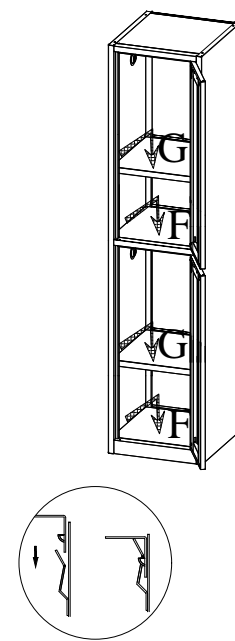
Step 4



Step 5



Step 6



Step 7

