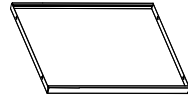
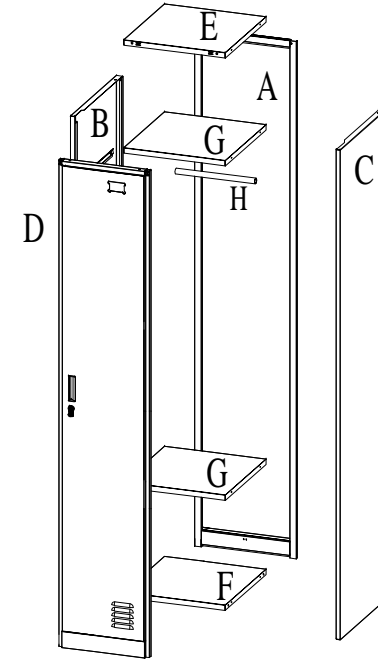


Assemble instruction

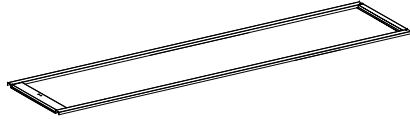
G×2



List of carcase parts



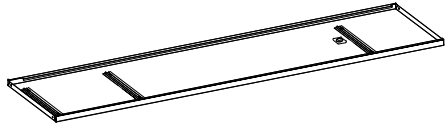
A×1



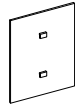
H×1



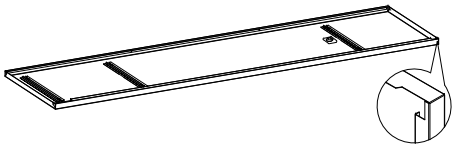
B×1



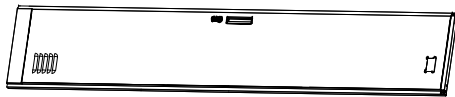
I×1



C×1



D×1



M4×8 2PCS



Plastic clip
1 PCS

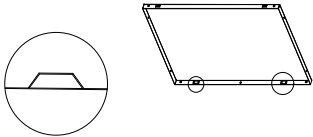


2PCS



Finish

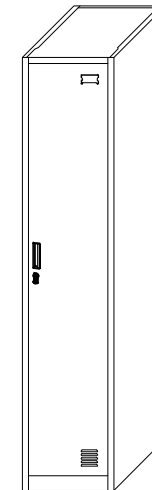
E×1



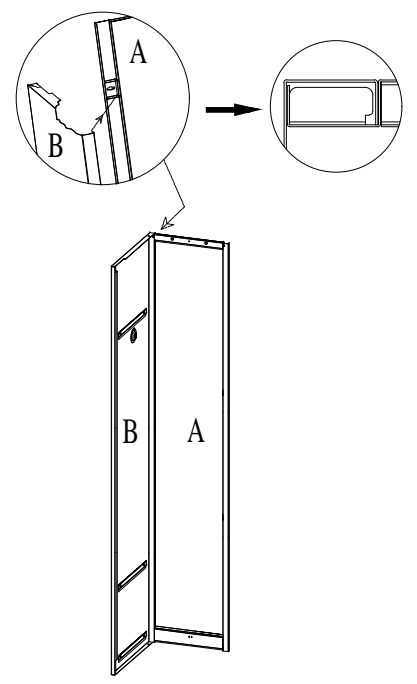
1 PCS



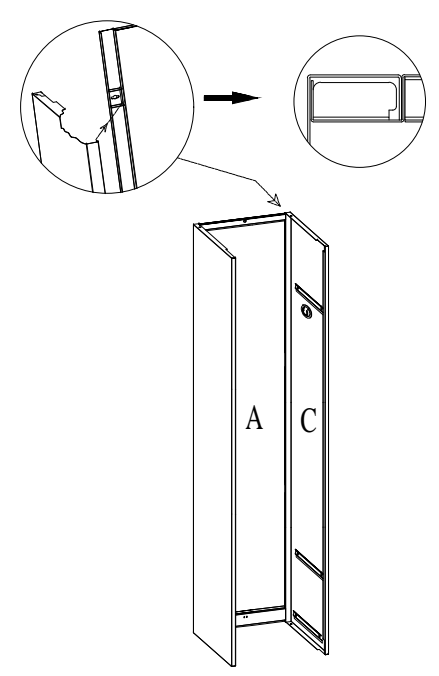
F×1



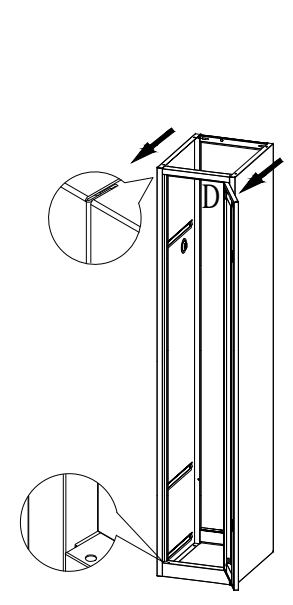
Step 1



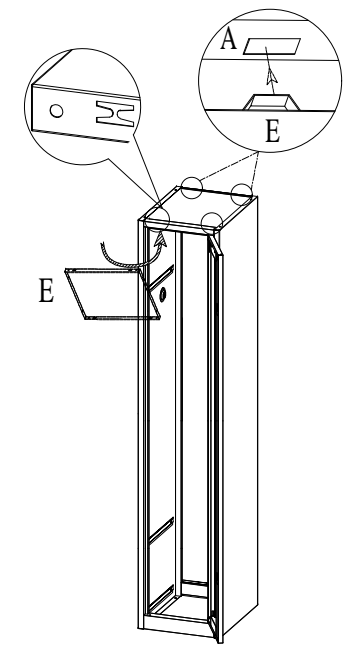
Step 2



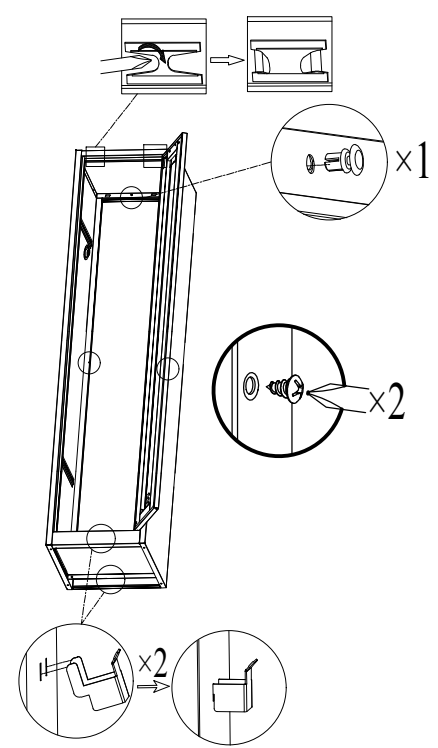
Step 3



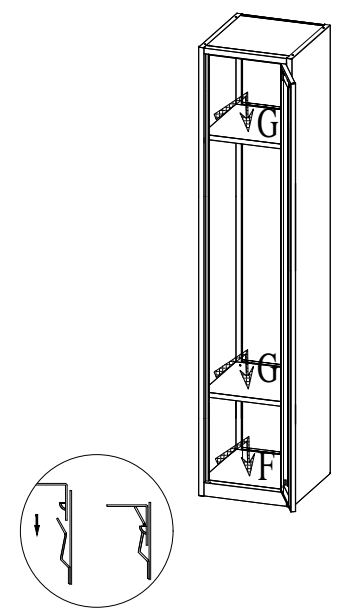
Step 4



Step 5



Step 6



Step 7

